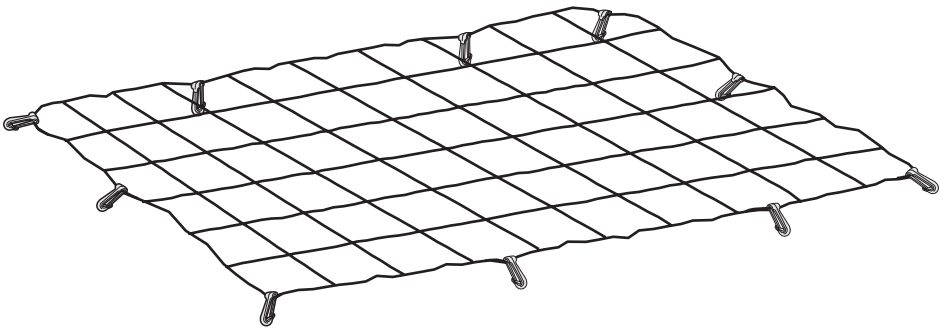


➤ Instructions

Thule Universal Load Net 595, 5951



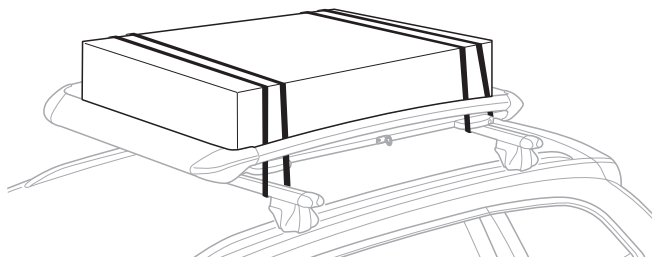
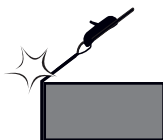
i



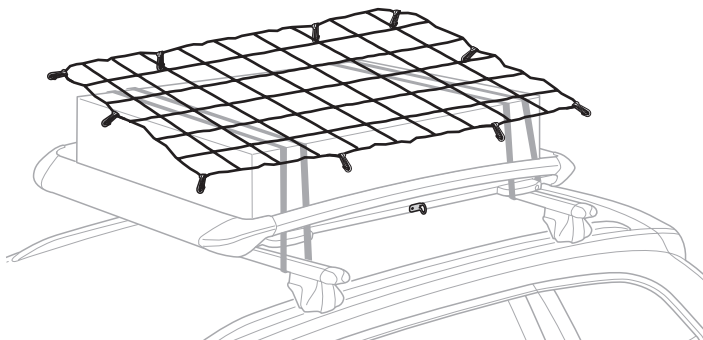
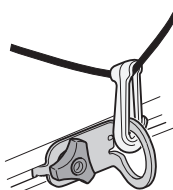
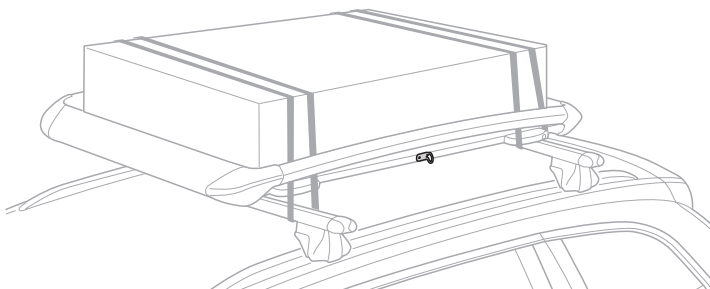
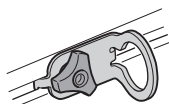
- Thule 521 strap** 1x275 cm
- Thule 522 strap** 1x400 cm
- Thule 523 strap** 2x400 cm
- Thule 524 strap** 2x275 cm
- Thule 551 strap** 2x600 cm



Thule 841 lockable strap 2x400 cm



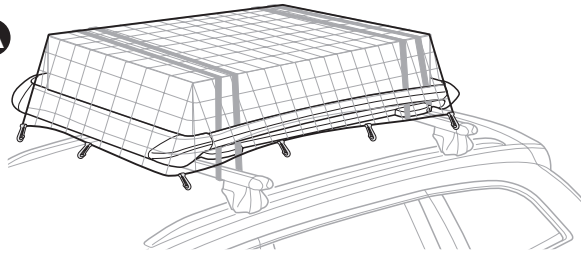
1



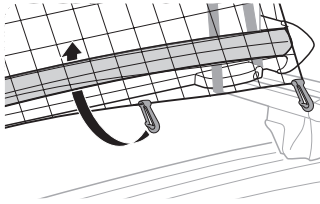
2



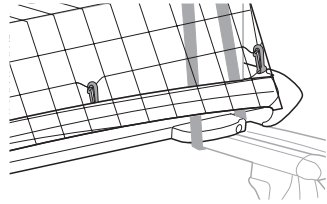
A



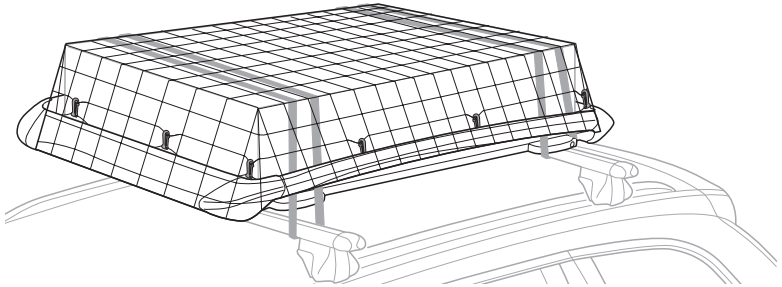
B



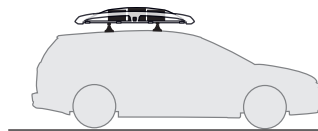
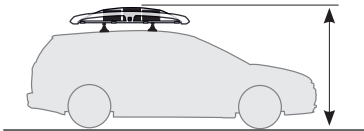
C



D



i



595 80 x 80 cm



0.4 kg

5951 130 x 90 cm



0.6 kg

